

NT-PWIRE-2

Phantom Wire Kit

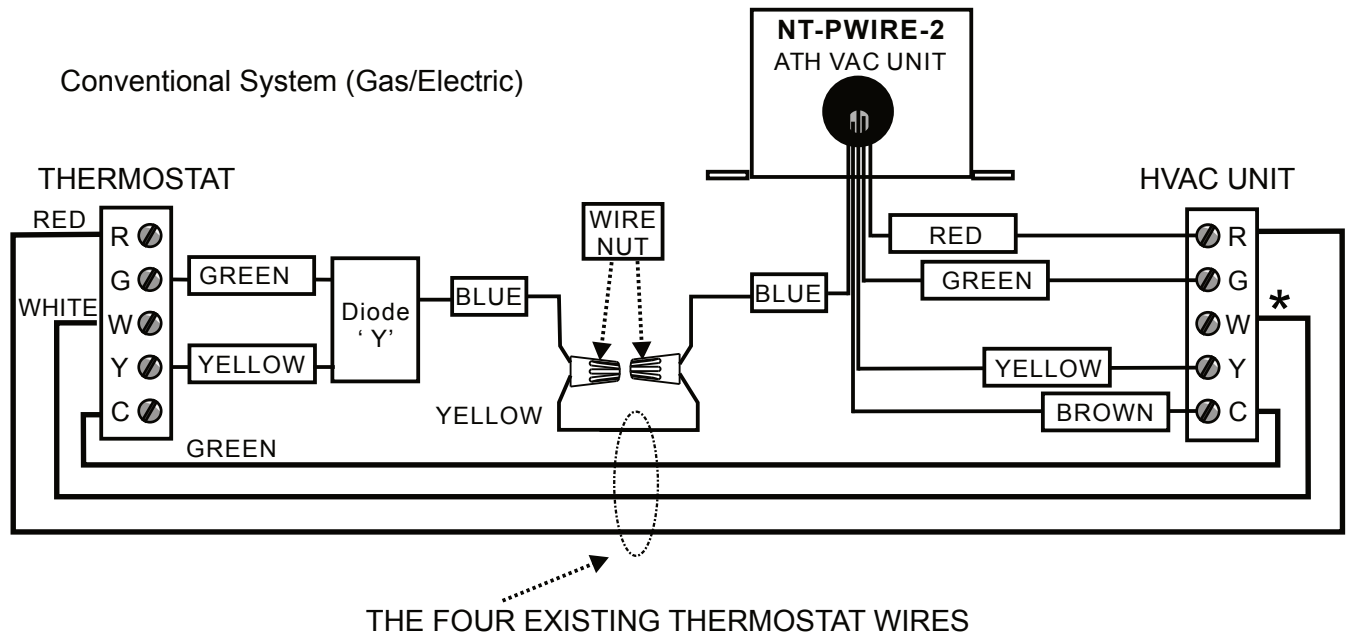
- **Creates a Phantom 24VAC Common Wire**
- **Use When There are One Too Few Conductors in Existing Thermostat Cable**
- **Color-Coded Cabling for 5-wire HVAC connection at Equipment**

GENERAL DESCRIPTION:

The NT-PWIRE-2 Phantom Wire device allows the installer to connect any NetX thermostat when a common wire is not available in the existing thermostat cable. In some older installations, thermostat cables don't have a common (24VAC common) wire because they were not needed for the mechanical thermostats originally installed.

The NT-PWIRE-2 creates the common wire so the HVAC unit can be used along with any NetX thermostat or just about any other thermostat requiring a 24VAC common. This is a great alternative to pulling new thermostat cable; saving time and money.

WIRING DIAGRAM:



* Heat Pump System - Use same wiring, except the WHITE thermostat wire to be connected to the O terminal instead of the W terminal at the thermostat and HVAC unit.